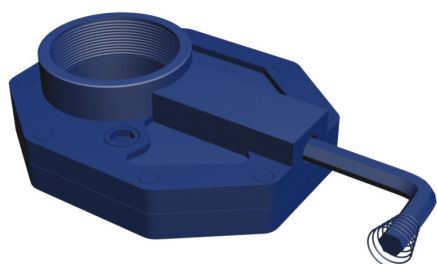
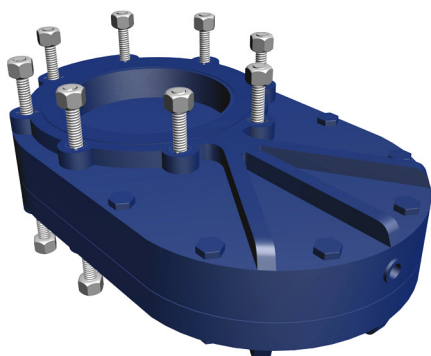


Slim Valves

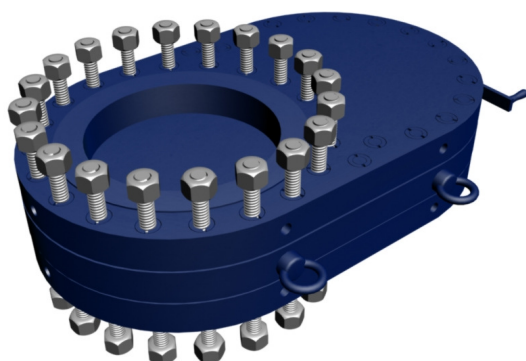
Class 150



Sizes 2" (150mm) and 3" (80mm)
Hand Operated



Sizes 4" (100mm) through 12" (300mm)
Hand Operated



Sizes 14" (350mm) through 30" (750mm)
Hand Operated

The **SLIM VALVE CLASS 150** for low pressure is a full opening, temporary valve. It is designed to be used with Hot-Tap & Linestop equipment and fittings.

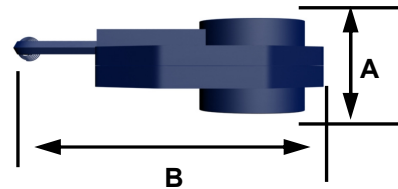
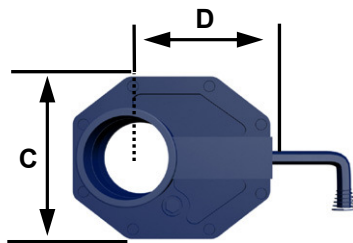
Its compact design reduces the length needed for the drilling machine's boring bar to make taps. It requires only little space and is easy to handle.

The **SLIM VALVE** for low pressure includes an operation handle.

It is available in sizes in sizes 2" to 30" in Class 150 - larger sizes are available upon customer request.

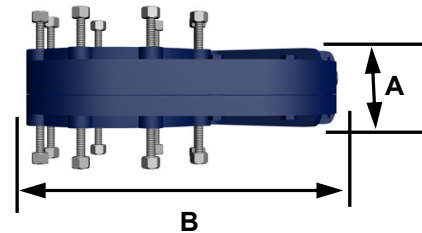
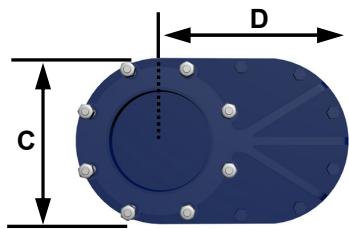
For **SLIM VALVES CLASS 150**, the maximum working pressure is 19 bar (275 PSI).

All Slim Valves have passed a Hydrostatic Testing. There are other tests available according to the client's specifications.



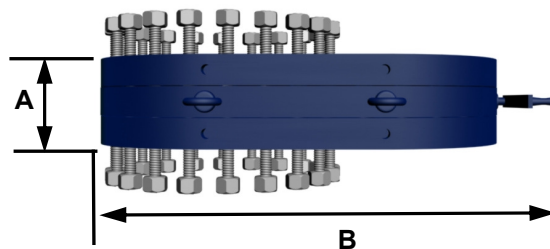
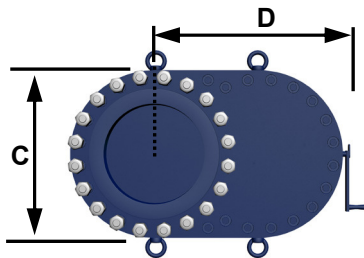
SLIM VALVE CLASS 150

Size		W	A		B		C		D		Class 150 Stock Number
inch	mm	kg	inch	mm	inch	mm	inch	mm	inch	mm	
2	50	4	2,5	63,5	6,0	152,4	5,0	127,0	4,3	109,2	VS-02-150
3	80	9	3,7	94,0	8,5	215,9	6,7	170,2	6,0	152,4	VS-03-150



SLIM VALVE CLASS 150

Size		W	A		B		C		D		Class 150 Stock Number
inch	mm	kg	inch	mm	inch	mm	inch	mm	inch	mm	
4	100	34	4,2	106,7	13,5	342,9	9,0	228,6	9,0	228,6	VS-04-150
6	150	65	5,3	134,6	18,5	469,9	11,0	279,4	12,5	317,5	VS-06-150
8	200	95	5,7	144,8	22,3	566,4	13,5	342,6	15,3	388,6	VS-08-150
12	300	205	6,0	152,4	32,0	812,8	19,0	482,6	22,0	558,8	VS-12-150



SLIM VALVE CLASS 150

Size		W	A		B		C		D		Class 150 Stock Number
inch	mm	kg	inch	mm	inch	mm	inch	mm	inch	mm	
14	350	520	13,5	342,9	38,0	965,2	25	635,0	6,0	152,4	VS-14-150
18	450	745	15,2	386,0	45,2	1148,1	26	660,4	7,0	177,8	VS-18-150
20	500	910	17,5	444,0	53,4	1356,4	27	685,8	7,5	190,5	VS-20-150
24	600	1655	19,8	502,0	58,5	1485,9	32	812,8	10,0	254,0	VS-24-150
30	750	3580	21,0	533,4	64,7	1643,4	38	965,2	10,5	266,7	VS-30-150

Larger sizes can be designed upon customer's request

The figures indicated on the chart above may change