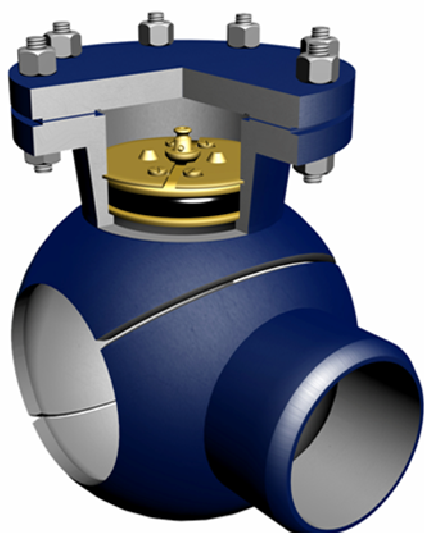
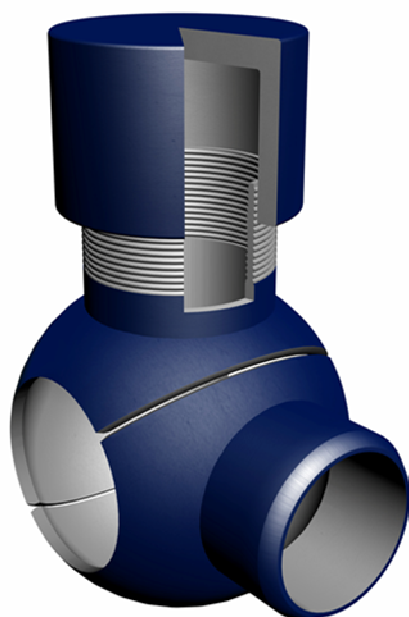


Spherical 3 Way Tee

Threaded & Completion Plug



The **THREADED & COMPLETION SPHERICAL 3 WAY TEES** are designed for main relocations, lateral connections, line extensions, equipment tie-ins, linestop operations; all without shutdown the line.

The 2"-3" **THREADED SPHERICAL 3 WAY TEE** is furnished with a threaded nipple, a threaded internal plug with O-ring and an external threaded cap, all welded to a full branch sphere. It is available in Class 150, 300 and 600.

The **COMPLETION SPHERICAL 3 WAY TEE** is furnished with a grooved flange to engage the leaves of standard completion plug, a blind flange with bolts, nuts and gasket, an internal completion plug with O-ring - all welded to a full branch sphere. It is available in sizes 4", 6", 8", 10", 12" and in class 150 and 300.

With a flange Class 150, the maximum operating pressure is 19 bar. With a flange Class 300, the maximum operating pressure is 51 bars.

The **THREADED SPHERICAL 3 WAY TEES** are designed to be used with the TECPESA Hot-Tap Equipments TBL-182TH, TBL-242TH and TBL-302TH.

The **COMPLETION SPHERICAL 3 WAY TEES** are designed to be used with the TECPESA Hot-Tap Equipments TBL-0322, TBL-0664 and TBL-1106.

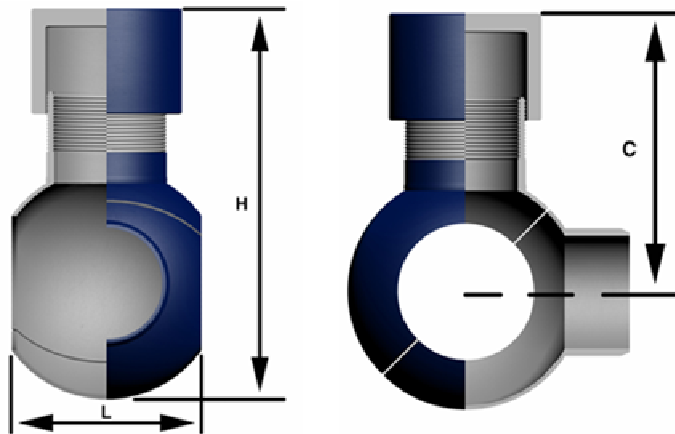
The bottom half of the **SPHERICAL 3 WAY TEE** can be turned to a side or a bottom outlet. The tee can also be installed horizontally.

All fittings are stamped with a code number for material identification. Material certificates are included.

The quality control is according to the client's specifications. Radiography X-testing, Ultra Sonic Test, Magnetic Particle Examination, Physical Testing are available.

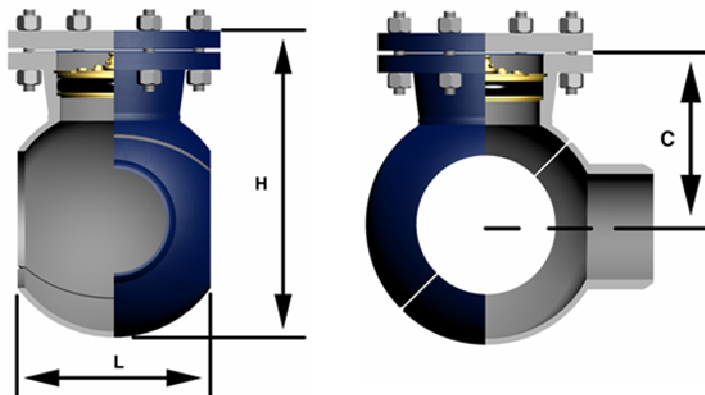


We stay in line



SPHERICAL 3 WAY TEE WITH THREADED PLUG

Size		Weight	H		L		C		Class 150	Class 300	Class 600
inch	mm	kg	inch	mm	inch	mm	inch	mm	Stock Number	Stock Number	Stock Number
2	70	12	10,2	259	6	153	4,7	119	02.150.02.0202.01.01	02.300.02.0202.01.01	02.600.02.0202.01.01
3	80	13	11,0	290	9	229	7,4	189	03.150.02.0203.01.01	03.300.02.0203.01.01	03.600.02.0203.01.01



SPHERICAL 3 WAY TEE WITH COMPLETION PLUG

Size		Weight	H		L		C		Class 150	Class 300
inch	mm	kg	inch	mm	inch	mm	inch	mm	Stock Number	Stock Number
4	100	25	12	305	9,0	228	8,2	208	04.150.02.0204.01.02	04.300.02.0204.01.02
6	150	65	15	381	10,0	254	9,1	231	06.150.02.0206.01.02	06.300.02.0206.01.02
8	200	90	17	431	11,3	285	9,5	241	08.150.02.0208.01.02	08.300.02.0208.01.02
10	250	138	21	533	13,5	343	11,5	292	10.150.02.0210.01.02	10.300.02.0210.01.02
12	300	174	23	584	14,5	368	12,3	312	12.150.02.0212.01.02	12.300.02.0212.01.02

The figures indicated on the chart above may change
 All details of the spare parts (O-ring, internal plug, etc...) are available in the Bulletin Number: 2009.200.00