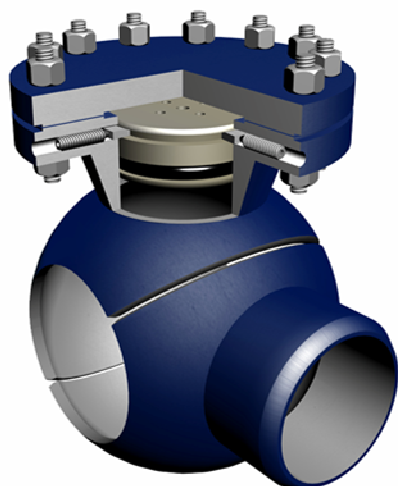
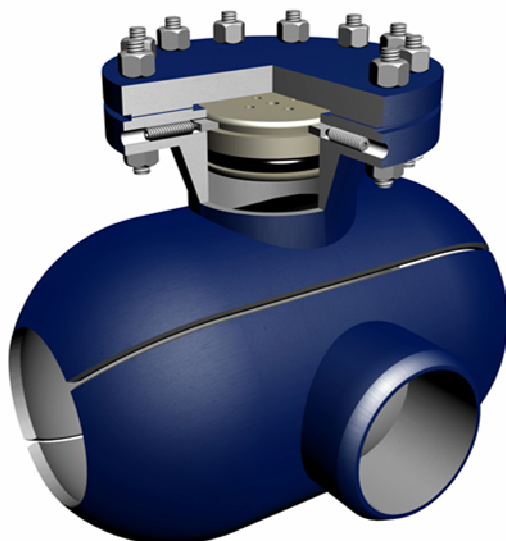


# Spherical 3 Way Tee

## Autoblock Plug



Spherical



Conduit Barrel

The **AUTOBLOCK SPHERICAL 3 WAY TEES** are designed for main relocations, lateral connections, line extensions, equipment tie-ins, linestop operations; all without shutdown the line.

The **AUTOBLOCK SPHERICAL 3 WAY TEE** is furnished with a drilled and faced autoblock flange, blind flange with bolts, nuts and gasket, an internal autoblock plug (high pressure plug) with O-ring, all welded to a full branch sphere.

It is available in sizes from 4" in Class 150, 300, 600 and 900.

The **AUTOBLOCK SPHERICAL 3 WAY TEES** are designed to be used with the TECPESA Hot-Tap Equipments TBL-0322, TBL-0664 and TBL-1106. In any case, the maximum installation pressure is the maximum operating pressure of the Equipment.

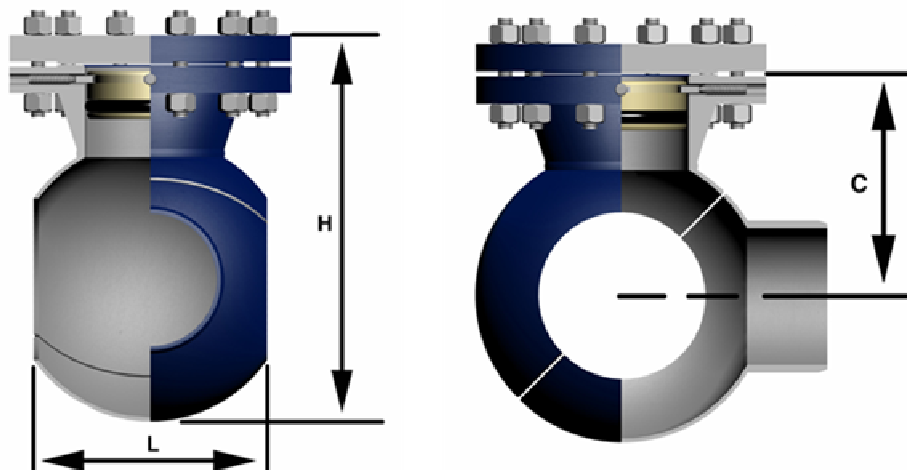
The bottom half of the **SPHERICAL 3 WAY TEE** can be turned to a side or a bottom outlet. The tee can also be installed horizontally.

All fittings are stamped with a code number for material identification. Material certificates are included.

The quality control is according to the client's specifications. Radiography X-testing, Ultra Sonic Test, Magnetic Particle Examination, Physical Testing are available.

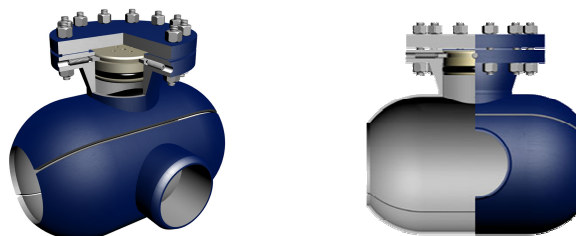


We stay in line



SPHERICAL 3 WAY TEE WITH AUTOBLOCK PLUG											
Size		W	H		L		C		Class 300		Class 600
inch	mm	kg	inch	mm	inch	mm	inch	mm	Stock N	Stock N	
4	100	25	12	305	9,0	228	8,2	208	04 .300.02.0204.01.03	04 .600.02.0204.01.03	
6	150	65	15	381	10,0	254	9,1	231	06 .300.02.0206.01.03	06 .600.02.0206.01.03	
8	200	90	17	431	11,3	285	9,5	241	08 .300.02.0208.01.03	08 .600.02.0208.01.03	
10	250	138	21	533	13,5	343	11,5	292	10 .300.02.0210.01.03	10 .600.02.0210.01.03	
12	300	174	23	584	14,5	368	12,3	312	12 .300.02.0212.01.03	12 .600.02.0212.01.03	
14	355	230	27	685	16,8	426	12,3	312	14 .300.02.0214.01.03	14 .600.02.0214.01.03	
16	406	314	30	761	18,4	467	13,0	330	16 .300.02.0216.01.03	16 .600.02.0216.01.03	
18	457	356	32	812	20,2	513	13,5	343	18 .300.02.0218.01.03	18 .600.02.0218.01.03	
20	508	518	35	888	22,6	573	15,0	381	20 .300.02.0220.01.03	20 .600.02.0220.01.03	
22	558	620	39	990	24,7	627	16,2	411	22 .300.02.0222.01.03	22 .600.02.0222.01.03	
24	609	748	43	1091	27,3	693	18,0	457	24 .300.02.0224.01.03	24 .600.02.0224.01.03	

Spherical 3 Way Tee are available in larger sizes upon customer's request



Conduit Barrel 3 Way Tee are also available from 20" upon customer's request

The figures indicated on the chart above may change  
 All details of the spare parts (O-ring, internal plug, etc...) are available in the Bulletin Number: 2009.200.00

**TECPESA, S.A.**

Balmes 129 Bis, 1º, 1ª - 08008 Barcelona - Spain  
 Tel: +34 934 510 760 Fax: +34 934 510 793

sales@tecpesa.com  
 www.tecpesa.com