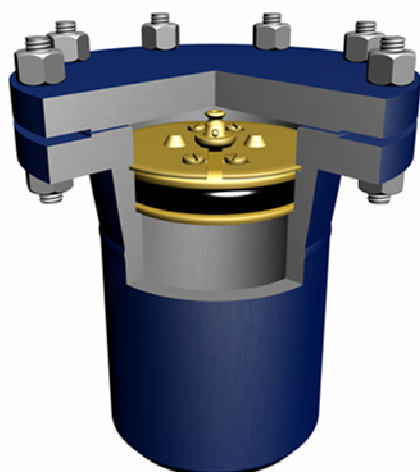


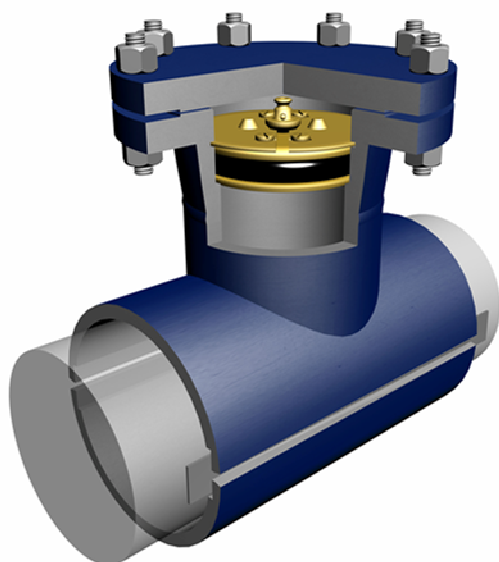
Linestop Fittings

Completion Plug



The **COMPLETION FITTINGS** are designed for main relocations, lateral connections, line extensions, equipment tie-ins, linestop operations all without shutdown. They are used also for gas bag installations.

The **COMPLETION FITTINGS** are furnished with a blind flange with studs, nuts, gasket, an internal completion plug with an O-ring and a flat bottom flanged nipple. They are available in sizes 4", 6", 8", 10", 12" and in Class 150 and 300. With a flange class 150, the maximum operating pressure is 19 bar. With a flange class 300, the maximum operating pressure is 51 bar. The **COMPLETION FITTINGS** are designed to be used with the Hot-Tap equipment TBL-0322, TBL-0644 and TBL-1106.



According to the size of the main pipeline, the completion fitting needs an additional reinforcement like a **Weldolet or Pad**. If the completion fitting has the same size than the main pipeline (size-on-size), the **COMPLETION FITTING** needs a full encirclement reinforcement. The reinforcement is according to the client's specification. In case there is no reinforcement needed, TECPESA also manufactures this fitting with a scarfed or flat bottom ending.

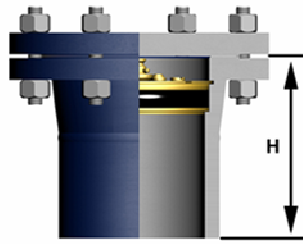
The **COMPLETION FITTINGS** are also available with a reducing branch to be used as bypass fittings or to connect different pipeline sizes.

All fittings are stamped with a code number for material identification. Material certificates are included.

The quality control is according to the client's specifications. Radiography testing, Ultra Sonic test, Magnetic Particle examination, Hydrostatic Testing, Physical Testing are available.



We stay in line

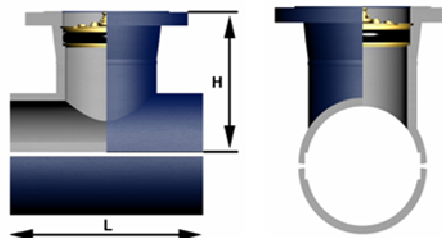
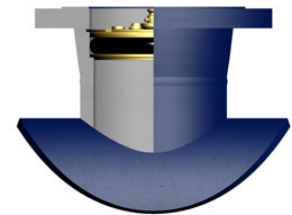


FLAT BOTTOM COMPLETION FITTINGS

Size		Weight	H		Class 150	Class 300
inch	mm	kg	inch	mm	Stock Number	Stock Number
4	100	11	4	110	04.150.00.0000.01.02	04.300.00.0000.01.02
6	150	25	5	127	06.150.00.0000.01.02	06.300.00.0000.01.02
8	200	31	5	127	08.150.00.0000.01.02	08.300.00.0000.01.02
10	250	55	6	152	10.150.00.0000.01.02	10.300.00.0000.01.02
12	300	74	6	152	12.150.00.0000.01.02	12.300.00.0000.01.02



According to the client's specification, TECPESA can manufacture both types of reinforcement:
Weldolet (left) or Pad (right)



FULL ENCIRCLEMENT COMPLETION FITTINGS

Size		Weight	L		H		Class 150	Class 300
inch	mm	kg	inch	mm	inch	mm	Stock Number	Stock Number
4	100	22	11	273	6,7	171	04.150.00.0204.01.02	04.300.00.0204.01.02
6	150	36	14	356	7,9	200	06.150.00.0206.01.02	06.300.00.0206.01.02
8	200	53	16	419	9,5	241	08.150.00.0208.01.02	08.300.00.0208.01.02
10	250	84	20	508	11,0	279	10.150.00.0210.01.02	10.300.00.0210.01.02
12	300	128	22	559	12,7	324	12.150.00.0212.01.02	12.300.00.0212.01.02

The figures indicated on the chart above may change
All details of the spare parts (O-ring, internal plug, etc...) are available in the Bulletin Number: 2009.200.00

TECPESA, S.A.

Balmes 129 Bis, 1º, 1ª - 08008 Barcelona - Spain
Tel: +34 934 510 760 Fax: +34 934 510 793

sales@tecpesa.com
www.tecpesa.com