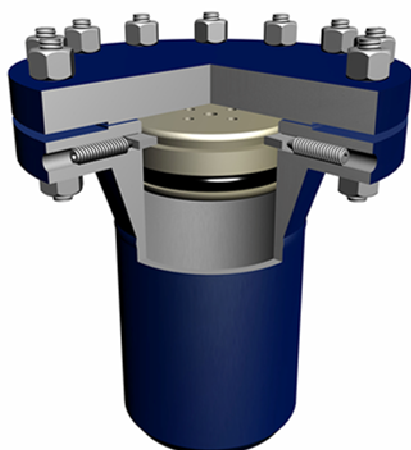


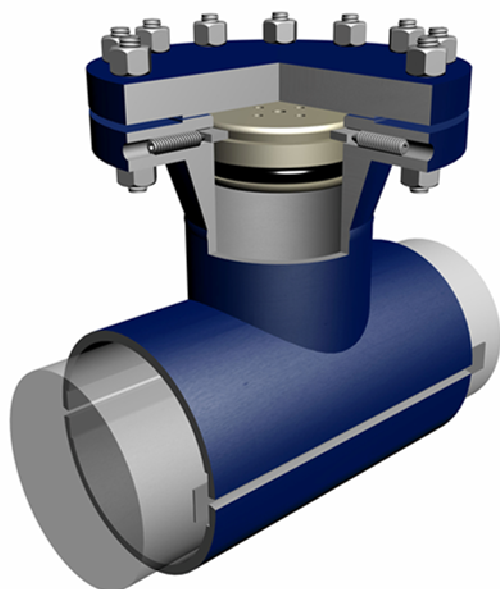
Linestop Fittings

Autoblock Plug



The **AUTOBLOCK FITTINGS** are full branch split tees designed main relocations, equipment tie-ins, linestop operations all without shutdown. They are also used for gas bag installations.

The **AUTOBLOCK FITTING** is furnished with a drilled and faced autoblock flange, a blind flange with studs, nuts and gaskets, an internal high pressure plug (autoblock plug) with O-ring. They are available in sizes from 4" to 36" Class 150, Class 300, Class 600 and Class 900. The **AUTOBLOCK FITTINGS** are designed to be used with the Hot Tap equipment TBL-0322, TBL-0644 and TBL-1106.



According to size of the main pipeline and the client's specifications, the linestop fitting can be manufactured with a different reinforcement like: a **Weldolet or Pad**. If the **AUTOBLOCK FITTING** has the same size than the main pipeline (size-on-size), the autoblock fitting needs a full encirclement reinforcement. In case there is no reinforcement needed, TECPESA also manufactures this fitting with a scarfed or flat bottom ending.

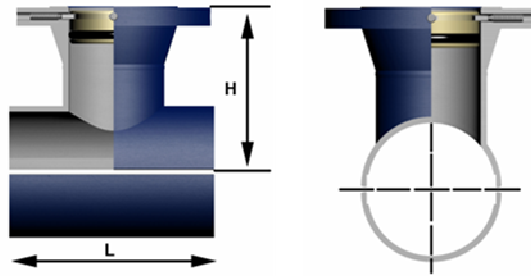
The **AUTOBLOCK FITTINGS** are also available with a reducing branch to be used as bypass fittings or to connect different pipeline sizes.

All fittings are stamped with a code number for material identification. Material certificates are included.

The quality control is according to the client's specifications. Radiography testing, Ultra Sonic test, Magnetic Particle examination, Hydrostatic Testing, Physical Testing are available.



We stay in line



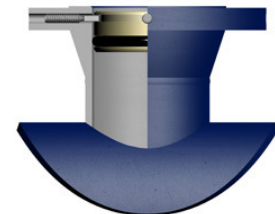
FULL ENCIRCLEMENT AUTOBLOCK FITTINGS

Size	L		Class 150			Class 300			Class 600					
	inch	mm	inch	mm	kg	inch	mm	kg	inch	mm	kg			
4	100	11 273	04.150.00.0204.01.03	6,6	165	20	04.300.00.0204.01.03	7,0	182	25	04.600.00.0204.01.03	7,0	182	25
6	150	14 356	06.150.00.0206.01.03	8,0	202	35	06.300.00.0206.01.03	8,3	210	37	06.600.00.0206.01.03	9,0	227	45
8	200	16 419	08.150.00.0208.01.03	9,5	240	57	08.300.00.0208.01.03	10,0	252	55	08.600.00.0208.01.03	11,0	270	73
10	250	20 508	10.150.00.0210.01.03	11,0	280	86	10.300.00.0210.01.03	11,5	289	86	10.600.00.0210.01.03	13,0	327	127
12	300	22 559	12.150.00.0212.01.03	20,0	322	130	12.300.00.0212.01.03	13,0	327	127	12.600.00.0212.01.03	14,0	366	166
14	350	25 635	14.150.00.0214.01.03	14,0	347	163	14.300.00.0214.01.03	14,0	366	166	14.600.00.0214.01.03	15,0	375	235
16	400	30 762	16.150.00.0216.01.03	16,0	395	254	16.300.00.0216.01.03	16,0	412	254	16.600.00.0216.01.03	16,0	412	313
18	450	33 838	18.150.00.0218.01.03	17,0	420	304	18.300.00.0218.01.03	17,0	464	311	18.600.00.0218.01.03	17,5	535	370
20	500	36 914	20.150.00.0220.01.03	18,0	447	440	20.300.00.0220.01.03	18,5	473	447	20.600.00.0220.01.03	20,0	554	549
22	550	40 1016	22.150.00.0222.01.03	19,0	477	530	22.300.00.0222.01.03	20,0	554	442	22.600.00.0222.01.03	21,0	562	782
24	600	43 1092	24.150.00.0224.01.03	20,5	512	605	24.300.00.0224.01.03	22,0	578	767	24.600.00.0224.01.03	22,0	578	860
26	650	47 1194	26.150.00.0226.01.03	21,0	530	668	26.300.00.0226.01.03	23,0	583	699	26.600.00.0226.01.03	24,7	602	1109
28	700	49 1245	28.150.00.0228.01.03	22,5	565	726	28.300.00.0228.01.03	24,0	630	885	28.600.00.0228.01.03	25,5	645	1238
30	750	51 1275	30.150.00.0230.01.03	24,5	612	794	30.300.00.0230.01.03	26,0	665	1023	30.600.00.0230.01.03	27,0	697	1383
34	850	57 1432	34.150.00.0234.01.03	27,0	677	982	34.300.00.0234.01.03	28,5	740	1358	34.600.00.0234.01.03	30,0	766	1862
36	900	60 1510	36.150.00.0236.01.03	28,0	710	1102	36.300.00.0236.01.03	30,0	765	1345	36.600.00.0236.01.03	32,0	807	2338

Larger sizes can be designed upon customer's request



According to the client's specification, TECPESA can manufacture both types of reinforcement: **Weldolet** (left) or **Pad** (right)



The figures indicated on the chart above may change
 All details of the spare parts (O-ring, internal plug, etc...) are available in the Bulletin Number: 2009.200.00

TECPESA, S.A.

Balmes 129 Bis, 1º, 1ª - 08008 Barcelona - Spain
 Tel: +34 934 510 760 Fax: +34 934 510 793

sales@tecpesa.com
 www.tecpesa.com