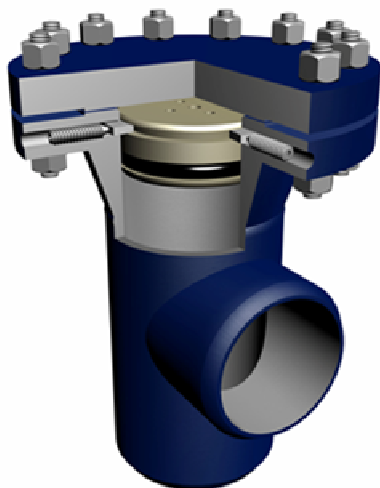


3 Way Tee Fittings

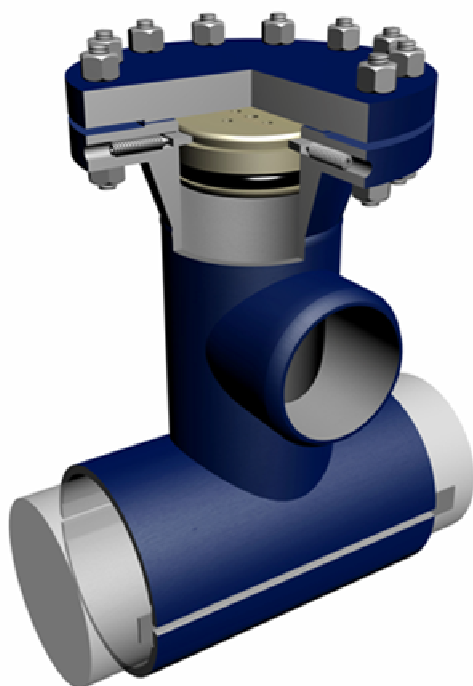
Autoblock Plug

The **AUTOBLOCK 3 WAY TEES** fittings are full branch 3 way tees designed for main relocations, lateral connections, line extensions, equipment tie-ins, linestop operations, all without shutdown.



The **AUTOBLOCK 3 WAY TEE** fittings are furnished with a drilled and faced autoblock flange, a blind flange with studs, nuts and gaskets, an internal high pressure plug (autoblock plug) with O-ring and a tee. They are available in sizes from 4" to larger sizes, Class 150, 300, 600 and 900.

According to the size of the main pipe and the client's specifications, the **AUTOBLOCK 3 WAY TEE** fittings can be manufactured with different reinforcements like a: **Weldolet or Pad**. In case there is no reinforcement needed, TECPESA also manufactures this fitting with a scarfed or flat bottom ending.



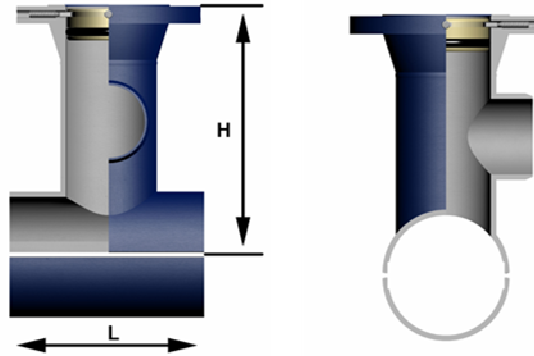
The **AUTOBLOCK 3 WAY TEES** are also available with a reducing branch to be used as bypass fittings or to connect different pipeline sizes.

All fittings are stamped with a code number for material identification. Material certificates are included.

The quality control is according to the client's specifications. Radiography testing, Ultra Sonic test, Magnetic Particle examination, Hydrostatic Testing, Physical Testing are available.



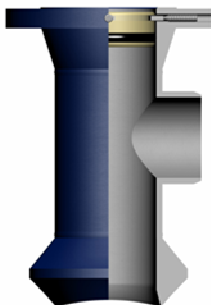
We stay in line



FULL ENCIRCLEMENT AUTOBLOCK 3 WAY TEE

Size inch	Weight kg	H inch	mm	L inch	mm	Class 150 Stock Number	Class 300 Stock Number	Class 600 Stock Number
4	24	7,4	187	10,8	274	04.150.01.0204.01.03	04.300.01.0204.01.03	04.600.01.0204.01.03
6	39	8,7	221	14,0	356	06.150.01.0206.01.03	06.300.01.0206.01.03	06.600.01.0206.01.03
8	60	10,2	260	14,0	356	08.150.01.0208.01.03	08.300.01.0208.01.03	08.600.01.0208.01.03
10	100	12,0	304	20,0	508	10.150.01.0210.01.03	10.300.01.0210.01.03	10.600.01.0210.01.03
12	146	13,5	343	22,0	570	12.150.01.0212.01.03	12.300.01.0212.01.03	12.600.01.0212.01.03
14	200	14,3	364	26,0	662	14.150.01.0214.01.03	14.300.01.0214.01.03	14.600.01.0214.01.03
16	274	15,8	401	30,0	760	16.150.01.0216.01.03	16.300.01.0216.01.03	16.600.01.0216.01.03
18	326	17,3	439	33,0	838	18.150.01.0218.01.03	18.300.01.0218.01.03	18.600.01.0218.01.03
20	478	18,7	475	35,7	908	20.150.01.0220.01.03	20.300.01.0220.01.03	20.600.01.0220.01.03
22	600	20,0	509	39,8	1012	22.150.01.0222.01.03	22.300.01.0222.01.03	22.600.01.0222.01.03
24	728	21,7	550	43,0	1092	24.150.01.0224.01.03	24.300.01.0224.01.03	24.600.01.0224.01.03
26	730	23,0	586	46,7	1187	26.150.01.0226.01.03	26.300.01.0226.01.03	26.600.01.0226.01.03
28	857	24,6	624	49,0	1245	28.150.01.0228.01.03	28.300.01.0228.01.03	28.600.01.0228.01.03
30	945	26,0	660	51,2	1298	30.150.01.0230.01.03	30.300.01.0230.01.03	30.600.01.0230.01.03
32	1084	28,0	708	57,0	1454	32.150.01.0232.01.03	32.300.01.0232.01.03	32.600.01.0232.01.03
34	1298	29,3	745	58,5	1485	34.150.01.0234.01.03	34.300.01.0234.01.03	34.600.01.0234.01.03
36	1575	29,5	751	59,7	1517	36.150.01.0236.01.03	36.300.01.0236.01.03	36.600.01.0236.01.03

Larger sizes can be designed upon customer's request



According to the client's specification, TECPESA can manufacture both types of reinforcement: **Weldolet** (left) or **Pad** (right)



The figures indicated on the chart above may change
All details of the spare parts (O-ring, internal plug, etc...) are available in the Bulletin Number: 2009.200.00

TECPESA, S.A.

Balmes 129 Bis, 1º, 1ª - 08008 Barcelona - Spain
Tel: +34 934 510 760 Fax: +34 934 510 793

sales@tecpesa.com
www.tecpesa.com